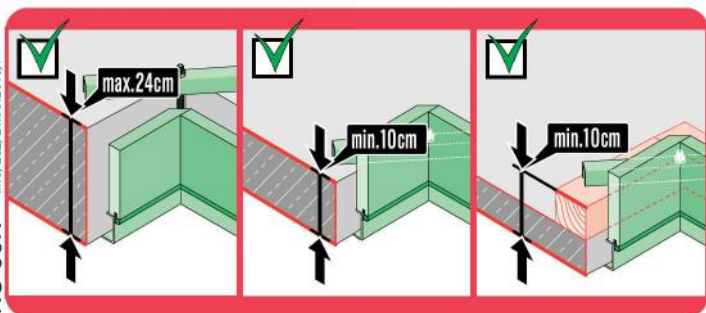
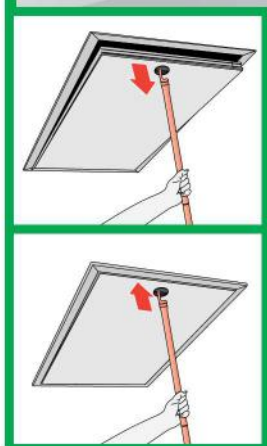
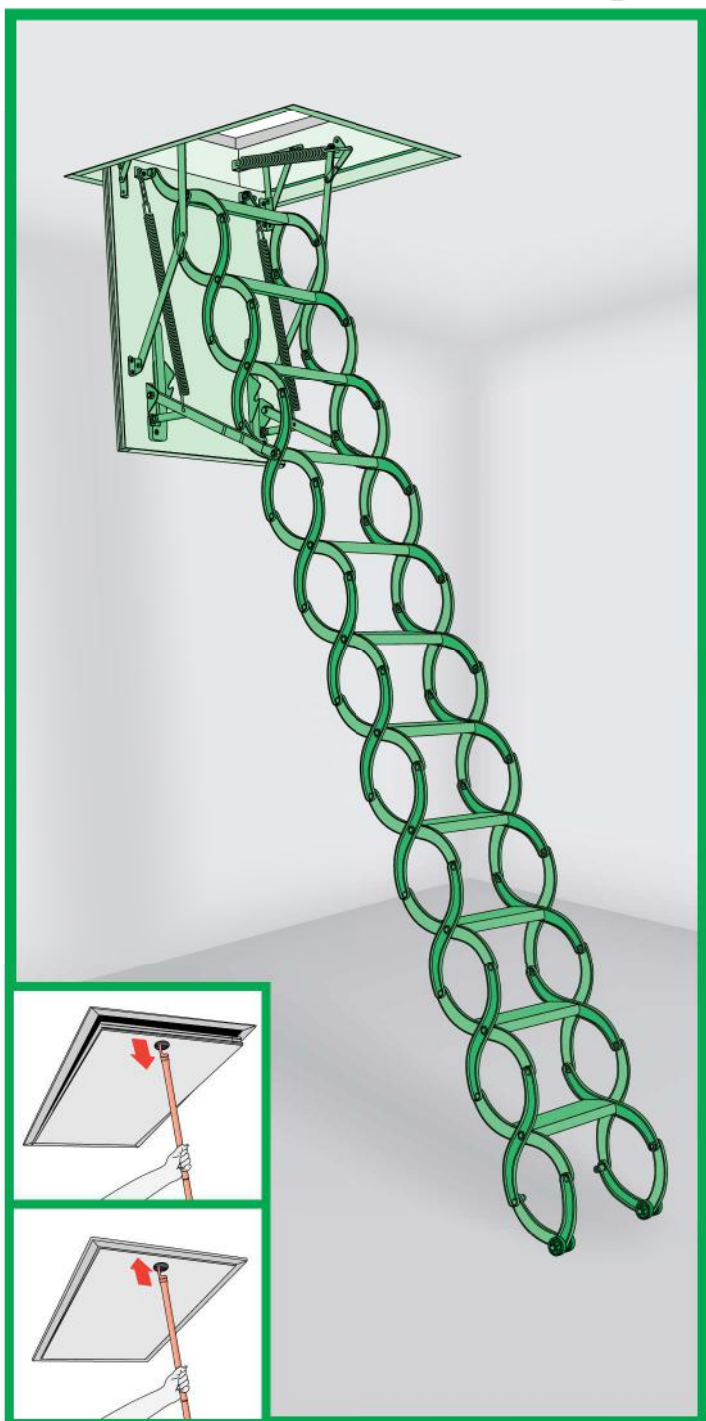
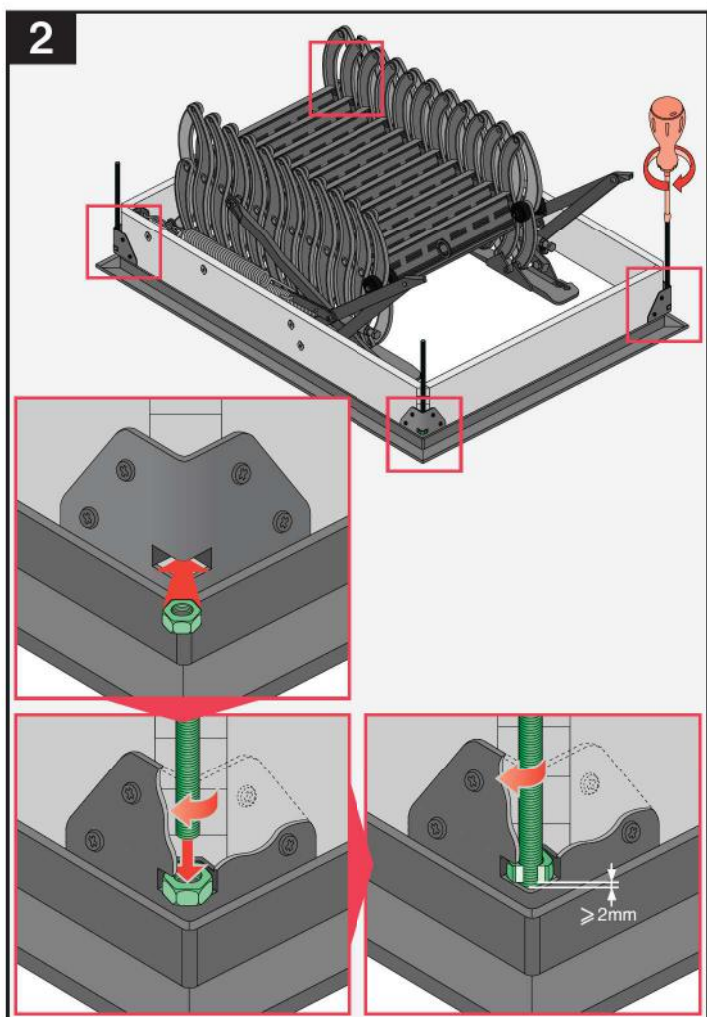
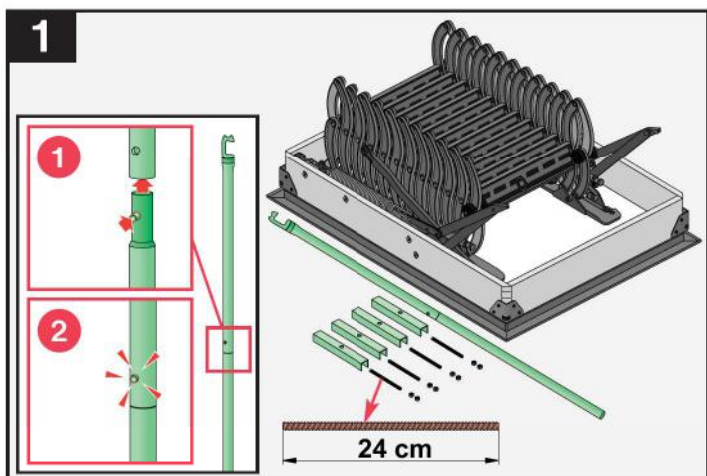
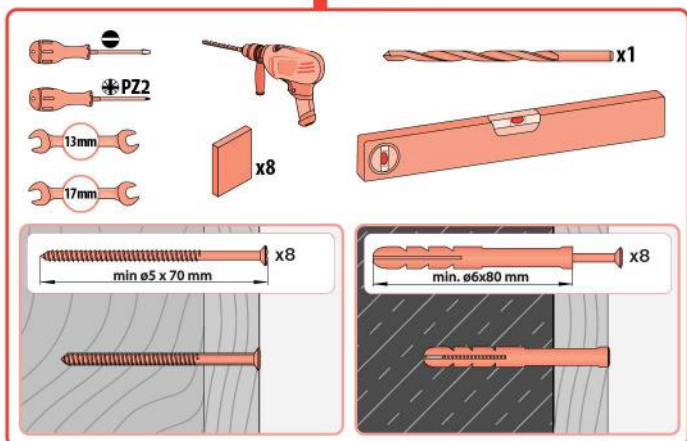


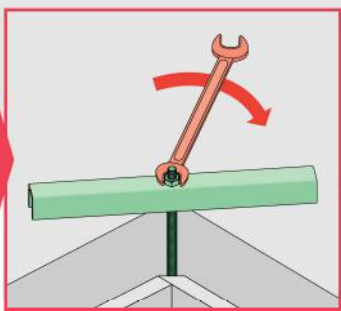
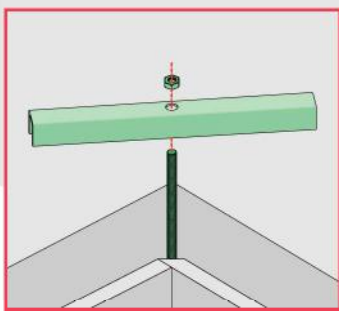
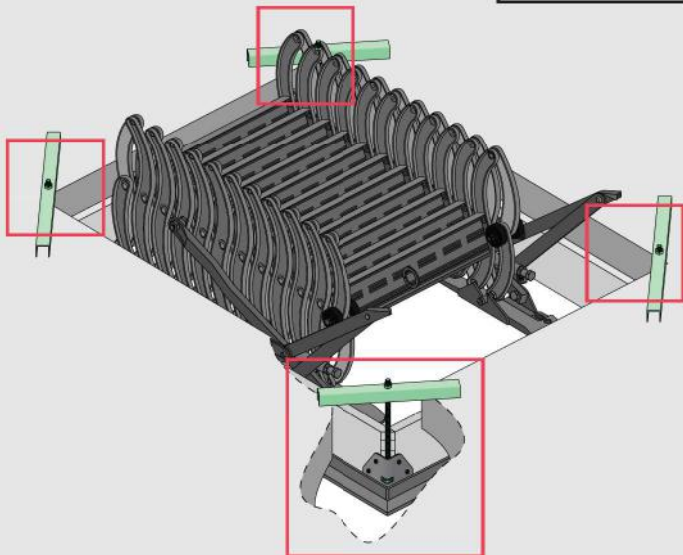
CZ PŮDNÍ SCHODY	NL ZOLDER/VLIERINGTRAP
DE BODENTREPPÉ	PL SCHODY STRYCHOWE
ES ESCALERAS ESCAMOTEABLES	PT ESCADA DE SOTAO-ENCAIXADA
FR ESCALIER ESCAMOTABLE	RO SCARĂ MODULARĂ
GB LOFT LADDER	RU ЧЕРДАЧНАЯ ЛЕСТНИЦА
HU PADLÁSFELJÁRÓ LÉPCSŐ	SK STROPNÉ SKLÁPACIE SCHODY
IT LE SCALE PER LA SOFFITTA	US ATTIC STAIRS

# LSZ

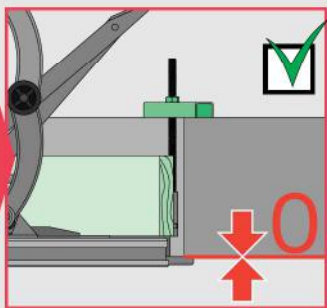
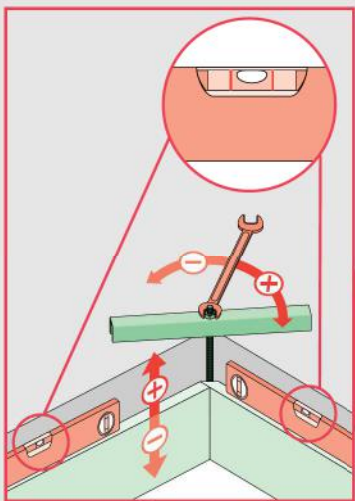
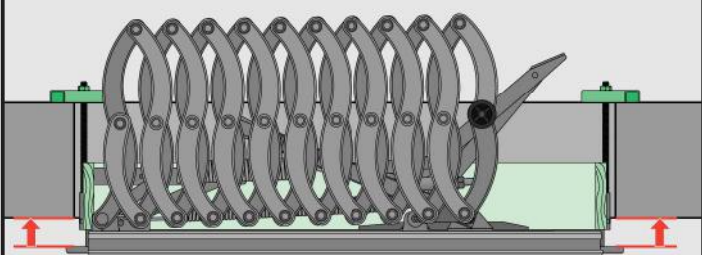




3



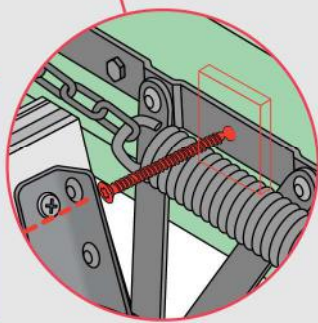
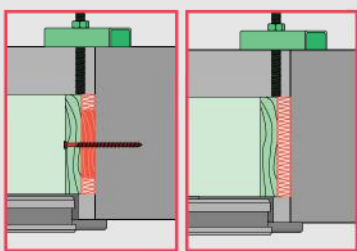
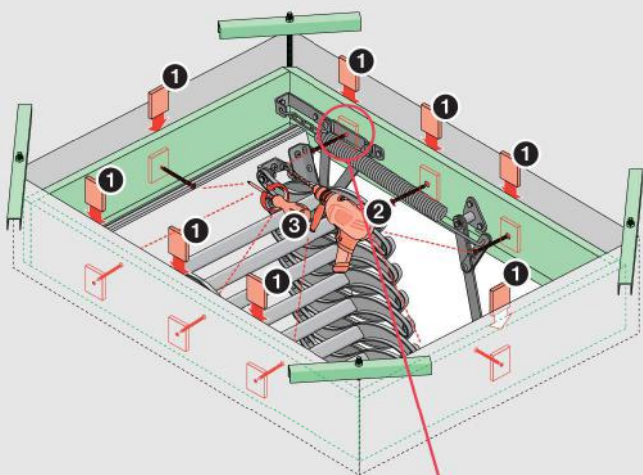
4



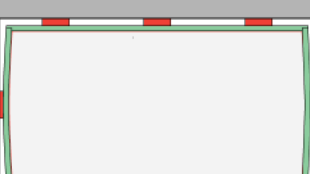
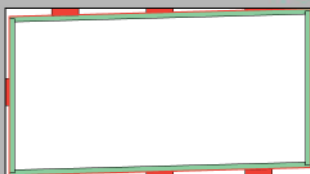
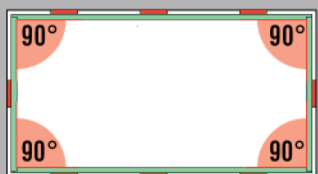
5

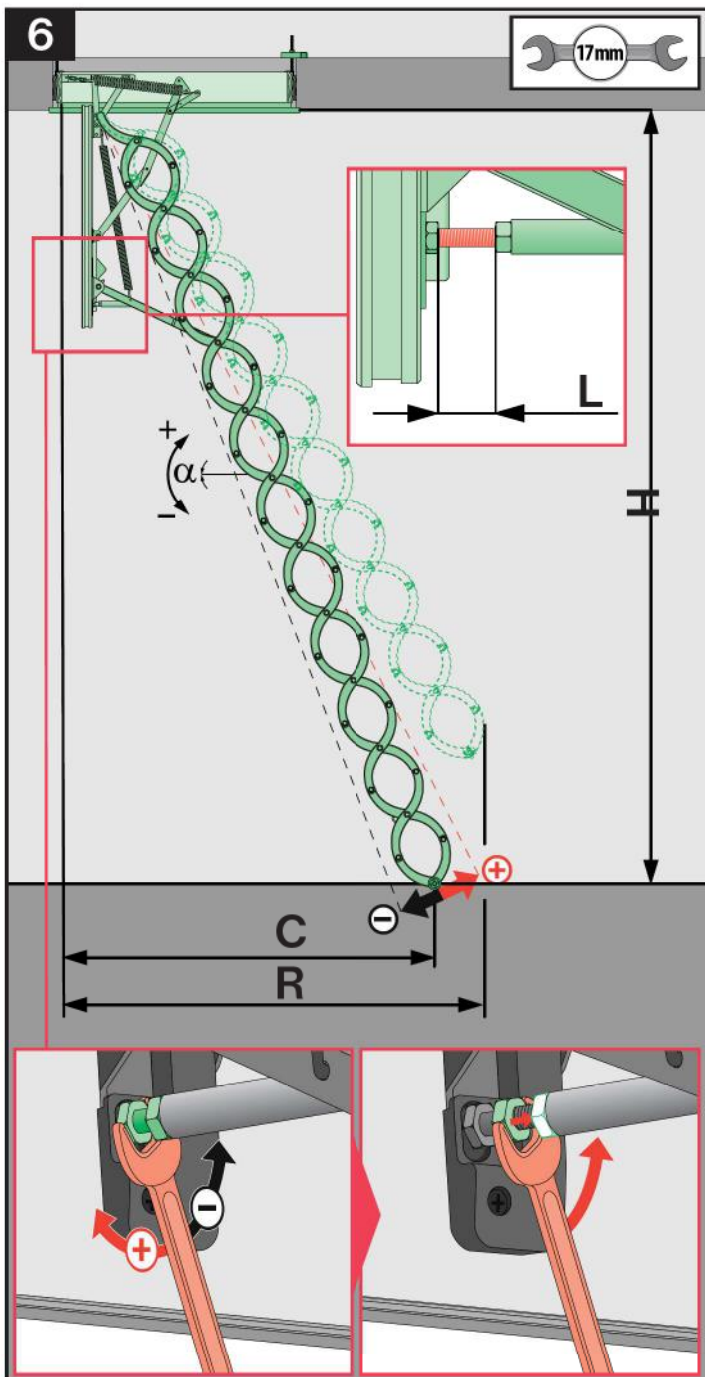


5\*



5\*





	$\times$	H	C	R	L	$\alpha$	
		[cm/inch]	[cm/inch]	[cm/inch]	[cm/inch]	[°]	
-		10	230 7' 6½"	135 4' 5½"	140 4' 7½"	2,5 1"	-5
		10	240 7' 10½"	131 4' 3½"	140 4' 7½"	2,2 7/8"	1
		10	250 8' 2¾"	127 4' 17/8"	140 4' 7½"	1,5 5/8"	3
		11	250 8' 2¾"	146 4' 9½"	150 4' 11"	3 1½"	-5
		11	260 8' 6¾"	142 4' 7¾"	150 4' 11"	2,2 7/8"	-2
		11	270 8' 10¼"	138 4' 6¾"	150 4' 11"	2 ¾"	1
		11	280 9' 2¼"	134 4' 4¾"	150 4' 11"	1,2 ½"	5
+		12	280 9' 2¼"	153 5' 1½"	160 5' 3"	2,2 7/8"	-3
		12	290 9' 6¾"	150 4' 11"	160 5' 3"	2 ¾"	0
		12	300 9' 10½"	145 4' 9½"	160 5' 3"	1,5 5/8"	3,5
+		13	300 9' 10½"	163 5' 4"	170 5' 6¾"	2,5 1"	-4
		13	310 10' 2"	160 5' 3"	170 5' 6¾"	2,2 7/8"	-0,5
		13	320 10' 6"	156 5' 1¾"	170 5' 6¾"	1,5 ¾"	2,5
		13	330 10' 9¾"	150 4' 11"	170 5' 6¾"	1,2 ½"	5,5

6a

